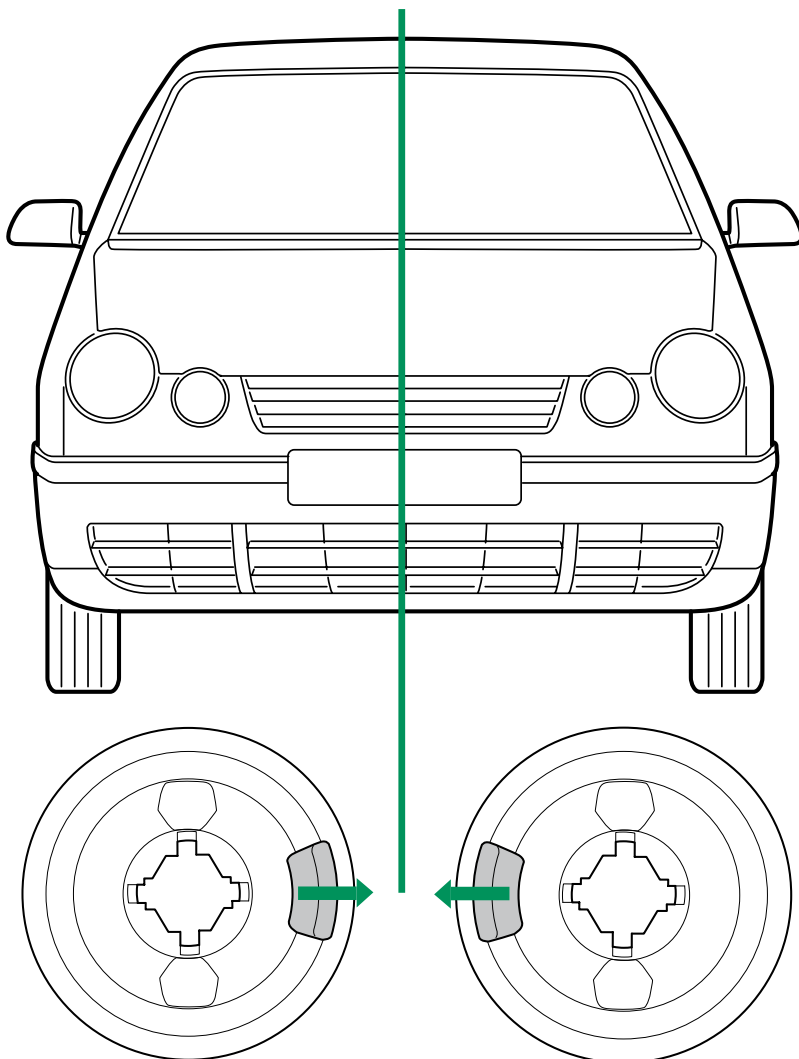


MEYLE control arm bushing

suitable for standard vehicle models from VW / Audi / SEAT and Skoda

Thinking a step ahead! – We have further developed our MEYLE control arm bushing No. 100 710 0005/HD and incorporated the improved version into our range under MEYLE No. 100 610 0027/HD. The new control arm bushing is available for immediate delivery and supersedes the previous version mentioned above. In

the new MEYLE control arm bushing we have optimised the critical cross sections in the rubber, identified and eliminated the reasons for cracks forming. This has considerably improved the durability and lifespan of the bushing.



Old: MEYLE no. 100 710 0005/HD
(Ref. No. 1K0 407 183 E)

New: MEYLE no. 100 610 0027/HD
(Ref. No. 1K0 407 183 E)

Installation tips:

For correct positioning of the bushing, the rubber bridge (grey) must point towards the middle of the vehicle.

See illustration!

Information

When repairing these components, please also check neighbouring parts and replace these in case of damage as well. MEYLE recommends that components are replaced in pairs.